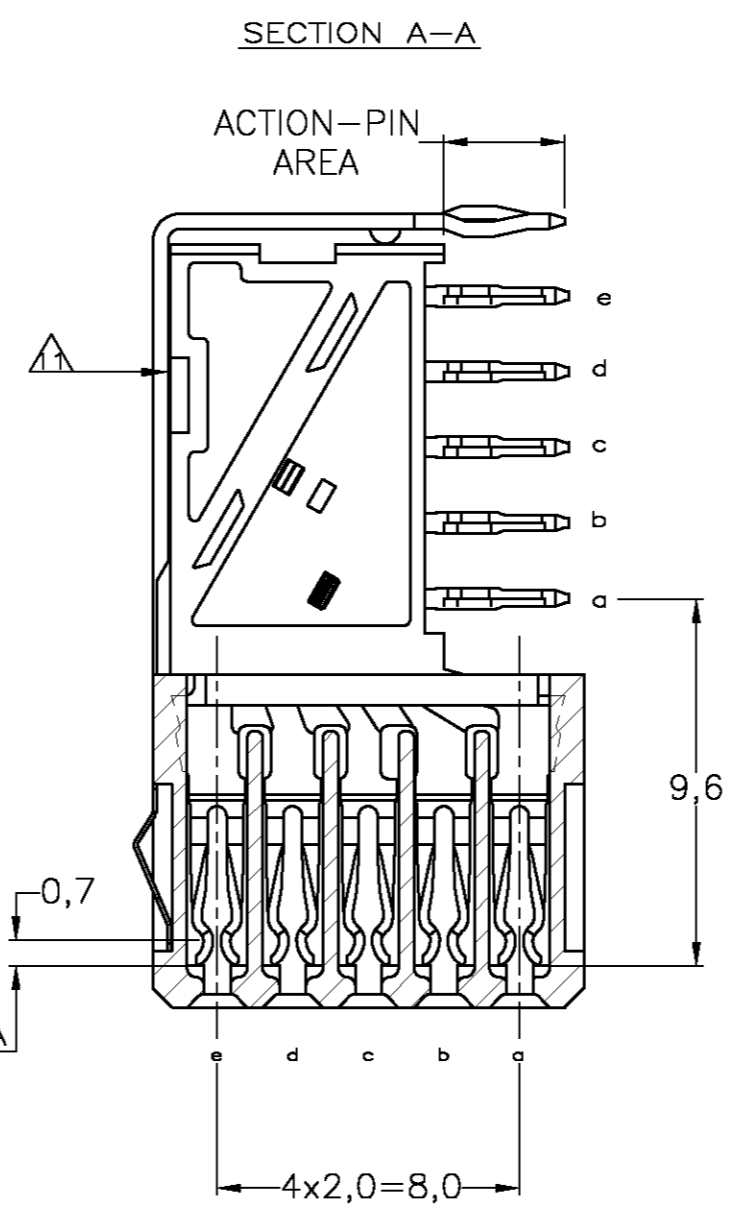
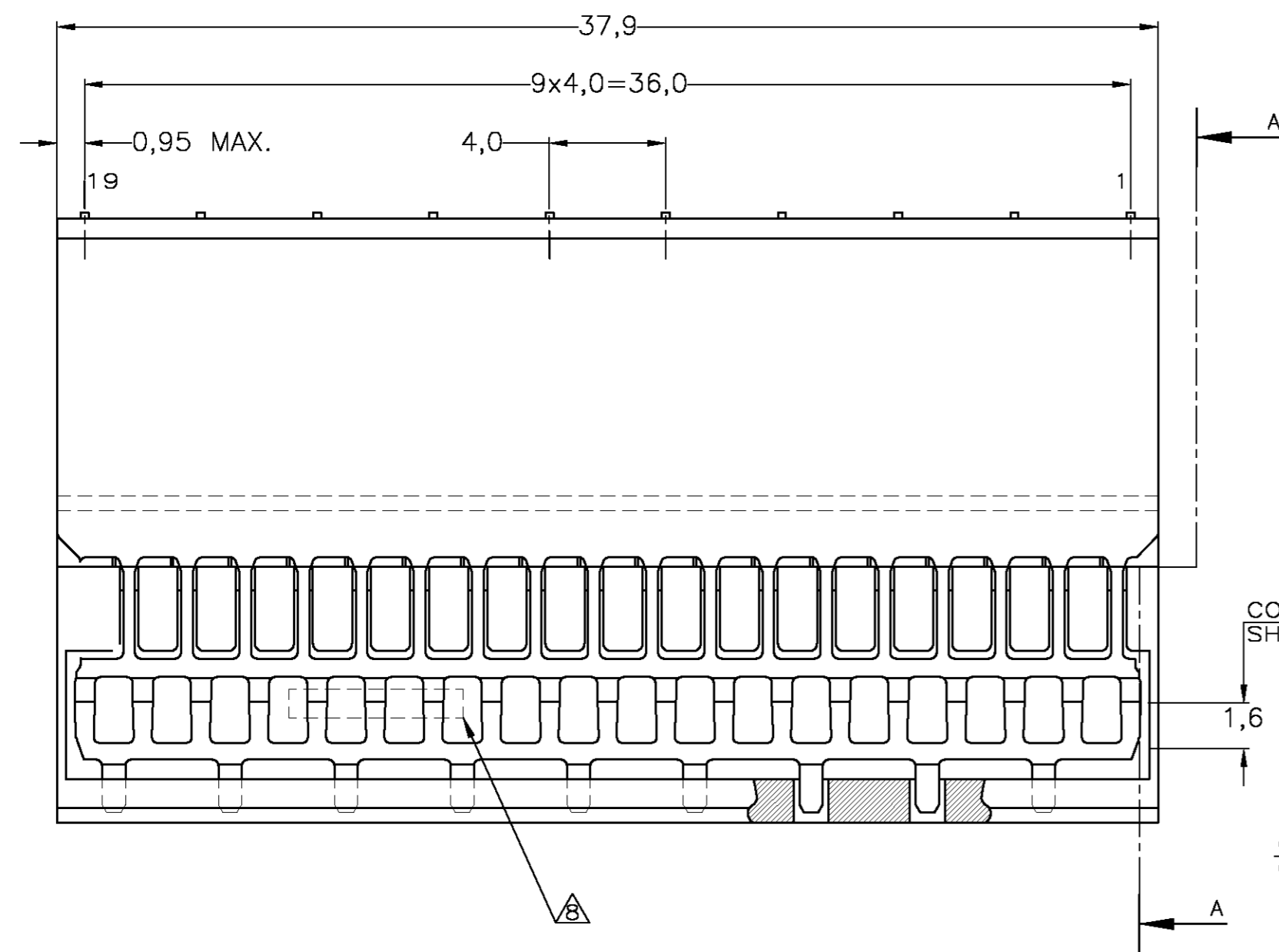
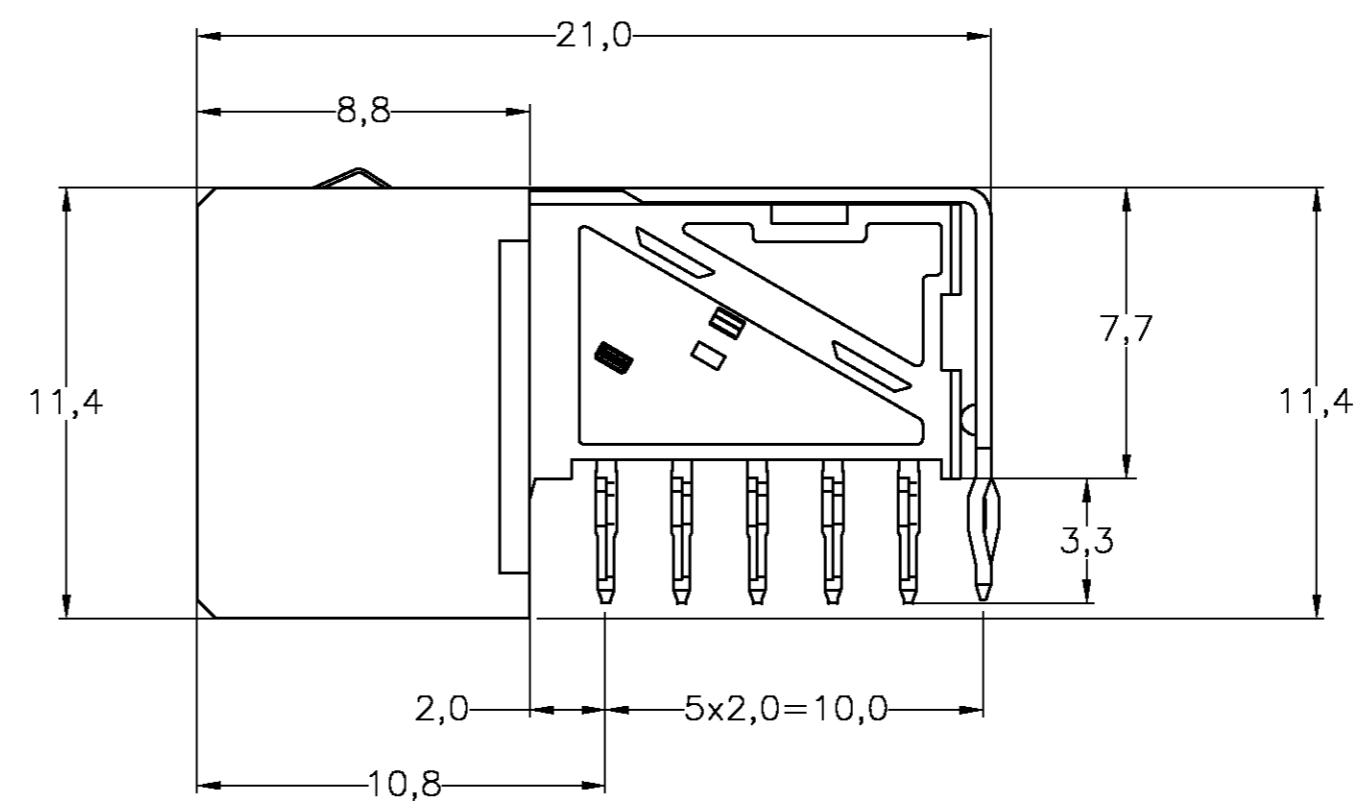
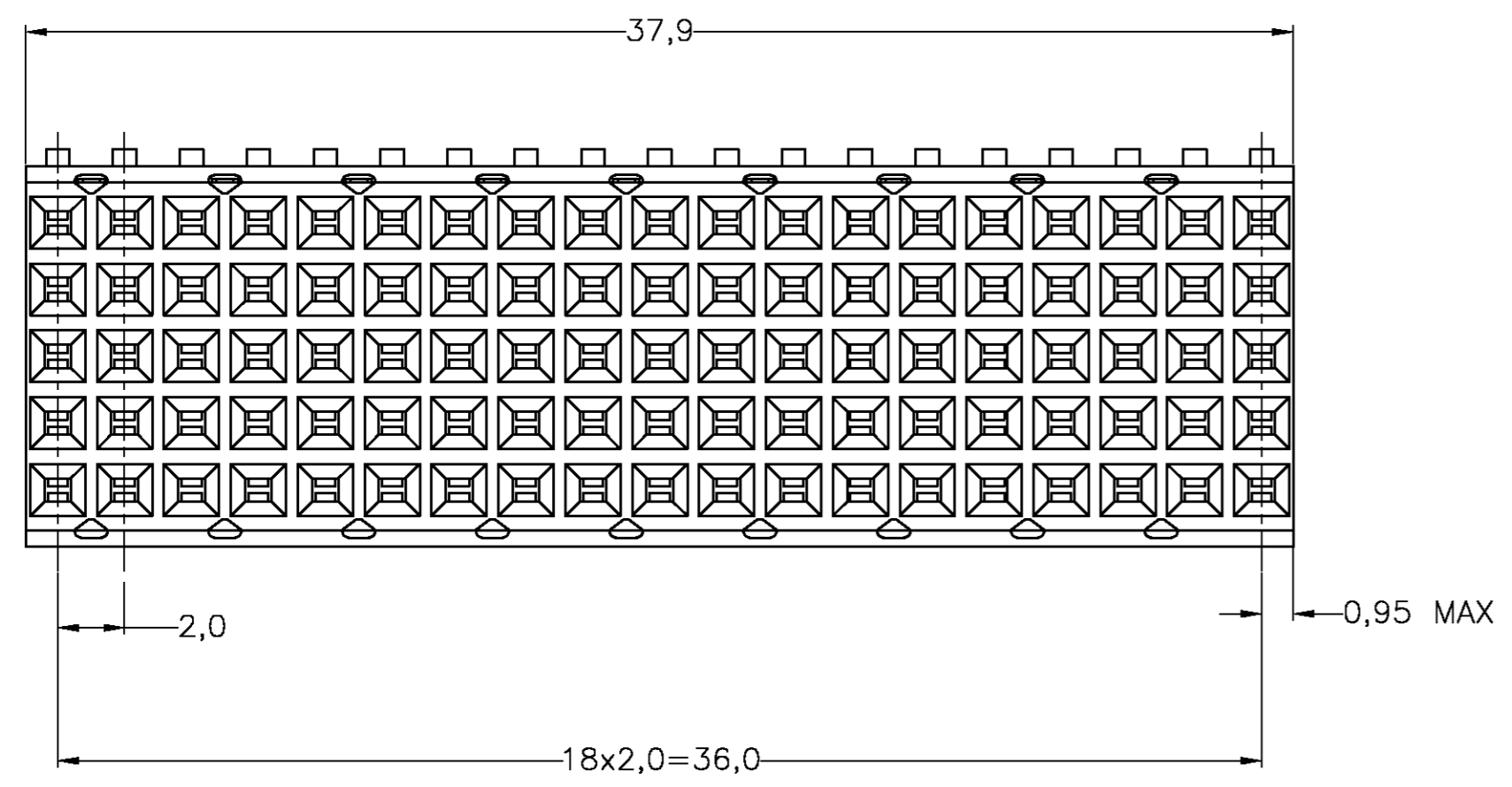


THIS DRAWING IS UNPUBLISHED. RELEASED FOR PUBLICATION
 © COPYRIGHT BY TYCO ELECTRONICS CORPORATION. ALL RIGHTS RESERVED.

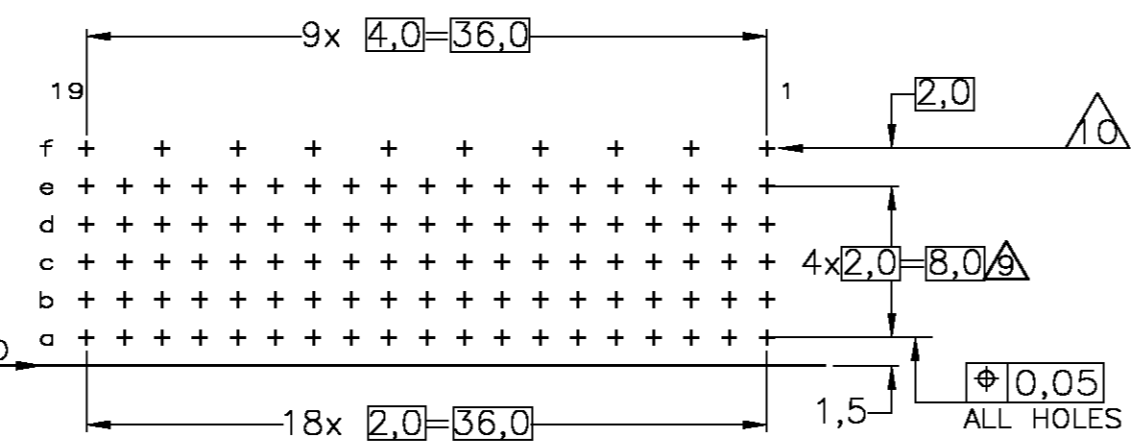
LOC		DIST		REVISIONS			
P	LTR	DESCRIPTION	DATE	DWN	APVD		
	G2	ECR-07-019485	18SEP2007	JvH	BM		



- NOTES:**
- ⚠ MATERIAL CONTACTS; PHOSPHORBRONZE
MATERIAL HOUSING; GLASSFILLED POLYESTER (GRAY)
 - ⚠ GENERAL PLATING SPECIFICATION: UNDERPLATING (ENTIRE CONTACT): 1,27µm NICKEL MIN. AND ACTION PIN: 0,5µm TIN-LEAD MIN. FOR PLATING OF MATING SURFACES SEE APPLICABLE SPECIFICATION REFERENCE FOR EACH DASH NUMBER.
 - ⚠ CONFORMS TO ALL TESTING ACCORDING IEC 61076-4-101 PERFORMANCE LEVEL 2.
 - ⚠ CONFORMS TO ALL TESTING ACCORDING IEC 61076-4-101 PERFORMANCE LEVEL 1.
 - ⚠ CONNECTOR TESTED AND QUALIFIED AGAINST TELCORDIA GR-1217-CORE QUALITY LEVEL III, CENTRAL OFFICE APPLICATIONS.
 - ⚠ CONNECTOR LUBRICATED WITH TELCORDIA GR-1217-CORE APPROVED LUBRICANT.
 - ⚠ PLATING SHIELD:
CONTACT AREA : 0,76µm Au MIN.
ACTION PIN : 0,5µm SnPb MIN.
REMAINDER : Ni
 - ⚠ ASSEMBLY PRINTED WITH P/N AND DATECODE
THE MARKING CAN APPEAR ON THE FRONT SIDE OR BACK SIDE.
 - ⚠ HOLE PATTERN FOR FEMALE CONNECTOR TYPE B-19 COLUMNS
95 PLATED-THROUGH HOLES AT 2x2mm SQUARE GRID
 - ⚠ ROW "f" 10 PLATED THROUGH HOLES FOR UPERSHIELD
 - ⚠ SHIELD MOUNTED ON CONNECTOR WITH DOUBLE SIDED ADHESIVE TAPE OR ADHESIVE
 - 12 BASIC P.N. LOWERSHIELD: 352029



COMPONENT SIDE AS SHOWN
 RECOMMENDED PCB-HOLE LAY-OUT
 SCALE 2,5:1



P.C.B. HOLE DIM. ACTION PIN
 FOR DETAILS SEE
 APPLICATION SPECIFICATION

FINISH	MATERIAL	PARTNUMBER
⚠⚠⚠⚠	⚠	352171-9
⚠⚠⚠	⚠	352171-4
⚠⚠⚠	⚠	352171-1

THIS DRAWING IS A CONTROLLED DOCUMENT.

DWN W. V.D. HEIJDEN 28-JAN-97	CHK B. MOOIJ 06-FEB-06	APVD J. BROEKSTEEG 06-FEB-06	NAME
DIMENSIONS: mm		TOLERANCES UNLESS OTHERWISE SPECIFIED:	
0 PLC ± -		1 PLC ± -	
1 PLC ± -		2 PLC ± -	
2 PLC ± -		3 PLC ± -	
3 PLC ± -		4 PLC ± -	
4 PLC ± -		ANGLES ± -	
MATERIAL		FINISH	
-		-	

W. V.D. HEIJDEN 28-JAN-97
 B. MOOIJ 06-FEB-06
 J. BROEKSTEEG 06-FEB-06

Tyco Electronics Corporation
 s-Hertogenbosch, Nederlands

Z-PACK 2MM HM
 TYPE B - 19 COLUMNS
 PRE-SHIELDED RECEPTACLE

SIZE A2	CAGE CODE 00779	DRAWING NO. C=352171	RESTRICTED TO
CUSTOMER DRAWING		SCALE NTS	SHEET 1 OF 1

REV G2